

User manual for awning blind

Contents

| | |
|---|----|
| 1. Safety standards | 2 |
| 2. Description | 3 |
| 3. Programming the appliance – INCLUDE & ASSOCIATE..... | 5 |
| 4. Programming the appliance – DELETE & EXCLUDE..... | 6 |
| 5. Compatibility of other producers' appliances in Z-Wave | 7 |
| 6. Connection of the AMZ Z-Wave awning blind to grids serviced by another producer's controller. | 7 |
| 7. Reset (restore to factory settings)..... | 7 |
| 8. Special options - ALL ON, ALL OFF..... | 7 |
| 9. Controller manual | 7 |
| 10. Remote control..... | 8 |
| 11. Technical parameters..... | 9 |
| 12. Description of signals - light-emitting diode (LED)..... | 9 |
| 13. Warranty..... | 16 |

FAKRO PP Sp. z o.o.

ul. 144A Węgierska

33-300 Nowy Sącz

Polska

www.fakro.com

tel. +48 18 444 0 444

fax. +48 18 444 0 333

1. Safety standards

Please carefully read the instructions below before installing the awning to avoid electric shocks, laceration, etc.

- While installing the electric awning blind it is essential to comply with the following rules:
- Firstly, after unpacking, check that the awning blind does not show any signs of mechanical damage.
- Installation should be performed by a qualified person according to the producer's user manual.
- Before connecting the awning blind, make sure that the supporting voltage is compatible with the voltage of the awning blind mentioned on the rated plate.
- Connect the awning blind and launch one cycle of work to verify whether it works correctly (dual-core wire - 12V DC).
- Plastic containers used for packing should be kept out of children's reach as they pose a potential threat.
- The awning blind should be used only for its purpose. FAKRO is not responsible for any damage of the awning blind resulting from improper use.
- Any actions related to cleaning, adjusting or disassembling of the electric awning should be preceded by disconnecting the power supply.
- Do not use any solvent-like agents, or a water jet (do not dip in water).
- All repairs should be made by a service authorized by the producer.
- The awning blind is for external use only.

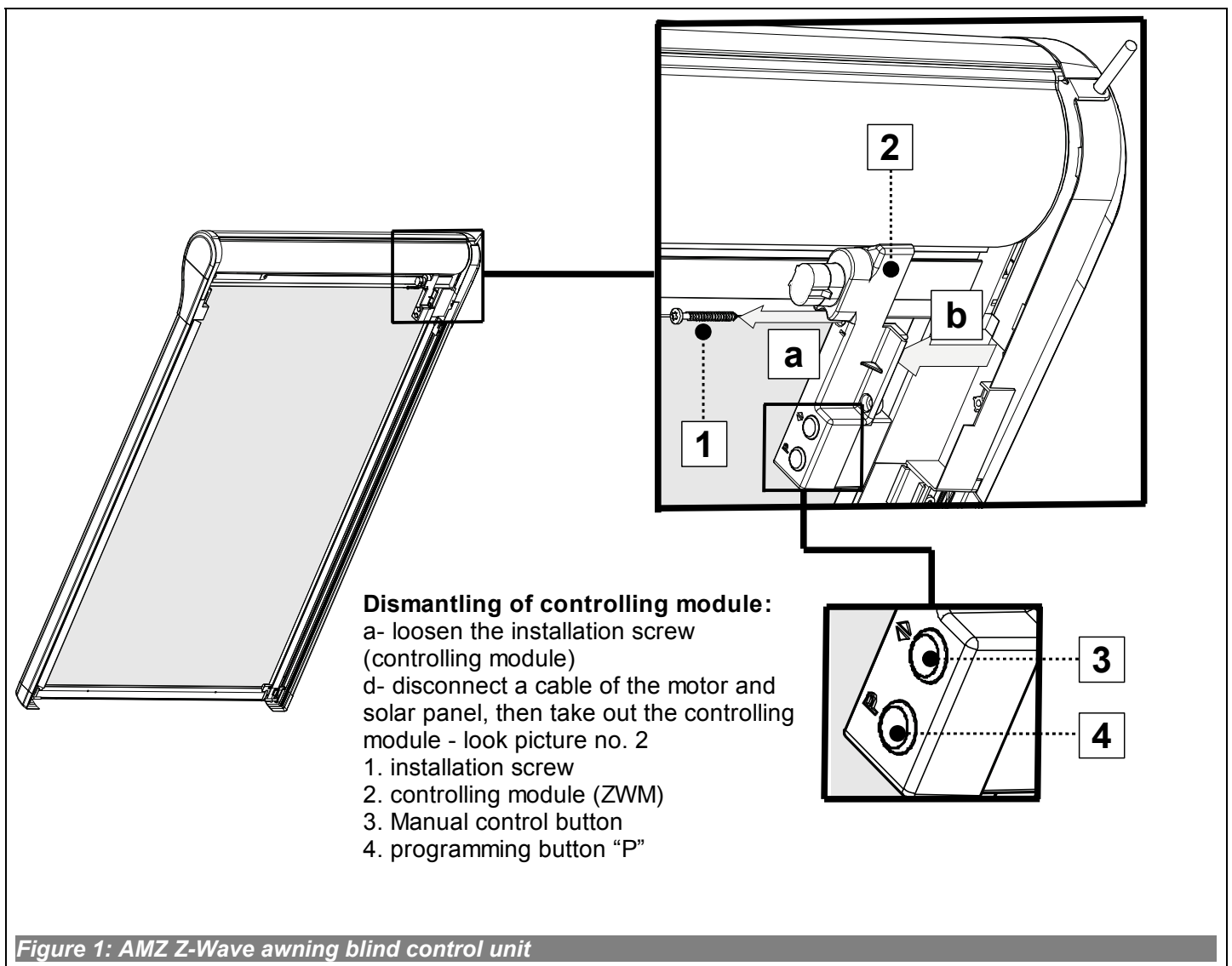
2. Description

AMZ Z-Wave awning blinds are only for external installation with Fakro roof windows. They are compatible with Fakro wireless remote controls or other remote controls marked with the Z-Wave logo produced by other companies. Awning blinds are equipped with a two-way module of radio communication. Z-Wave uses 868,42 MHz radio waves.

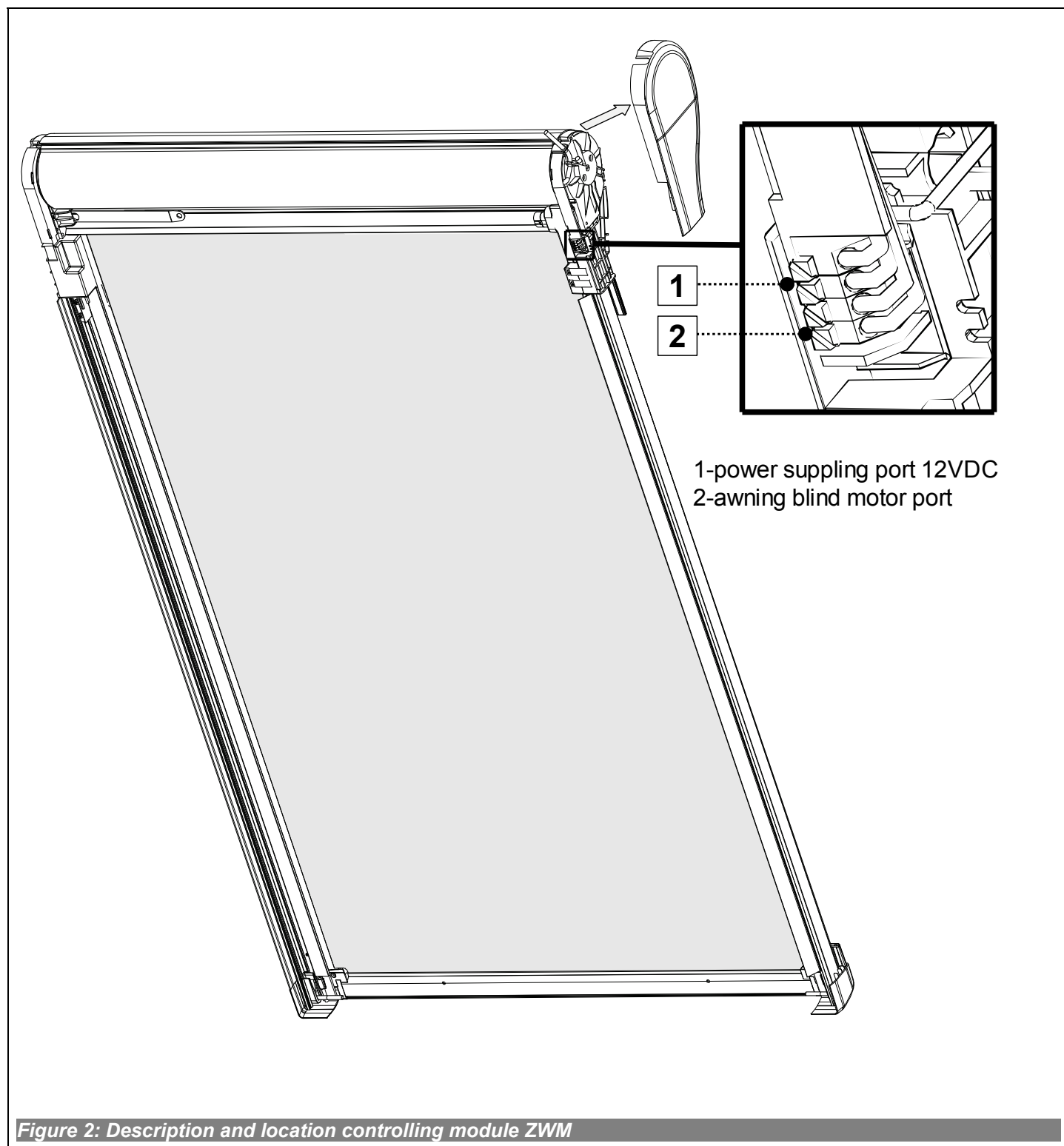
The AMZ Z-Wave awning blind has two extremes:

- maximum extension (outskirt)
- completely rolled up (outskirt)
- current limiting protecting awning blind against damage and user against accidental injury resulting from the contact with moving elements of awning blind.

In order to use the appliance, it is essential to install it in accordance with the figure manual attached to its package. Programming should be done with any of the remote controls (e.g. ZWP15 remote control, ZWK keyboard or ZWG) available from Fakro or any remote control equipped with the Z-Wave logo produced by other companies - see points 3-8. *Figure 1* shows a general view of the AMZ Z-Wave awning blind with a description of the buttons and indicators.



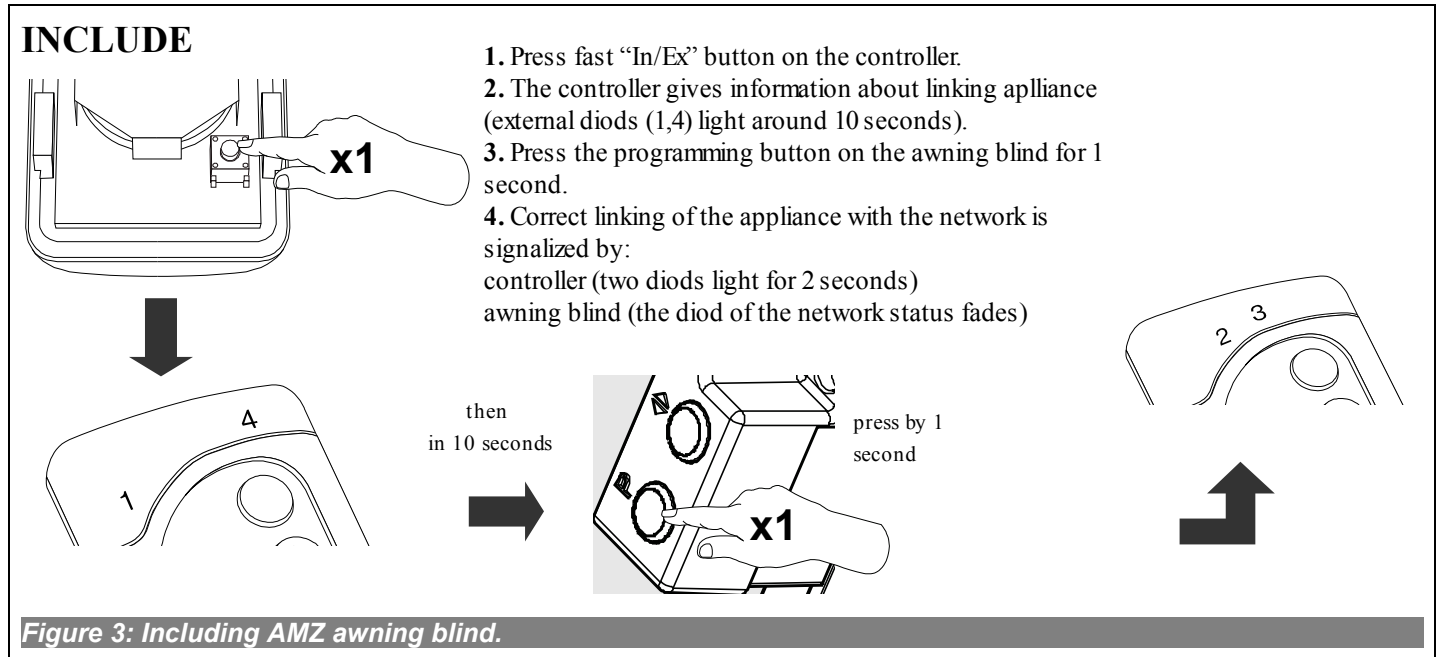
In the AMZ Z-Wave awning blind the ZWM controller is located under the right-side body cover - see *Figure 2*.



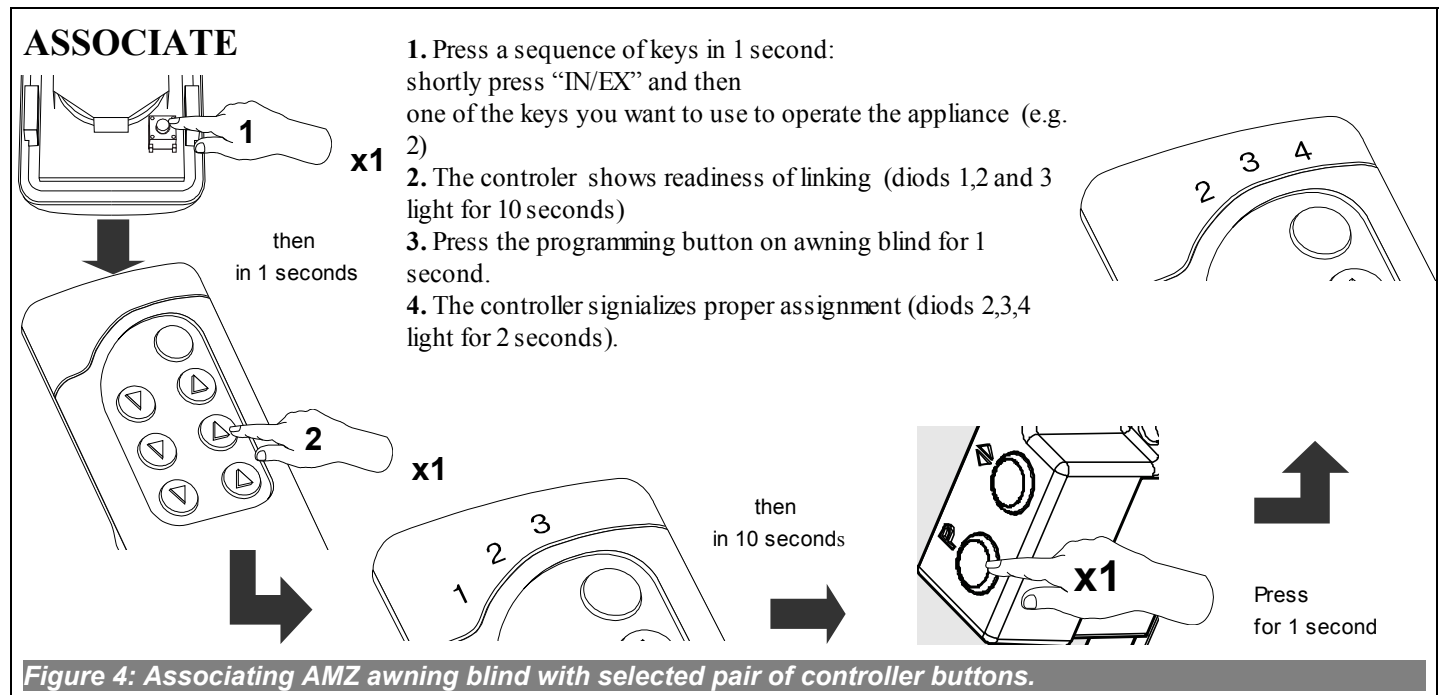
3. Programming the appliance – **INCLUDE & ASSOCIATE.**

In order for the appliance to communicate with the Z-Wave network, it is essential to connect to the network and give the appliance a special number (Node ID). The appliance can be added to a network, as long as it does not belong to another one. In order to add the appliance to a network, it should firstly be deleted from any network it belongs to, or restored to factory settings (see chapter 7). This can be done with the use of any basic controller. The network status diode indicates when the appliance is ready to be linked to the network. This diode does not belong to any network.

1. Linking the appliance (use the “Include” option) with the memory of the selected controller. An exemplary procedure is shown in *Figure 3*;



2. Associating the appliance with selected keys of the controller (use “Associate” option). An exemplary procedure is shown in *figure 4*.



All information concerning the “Include” and “Associate” options in other producers’ controllers can be found in their user manuals.

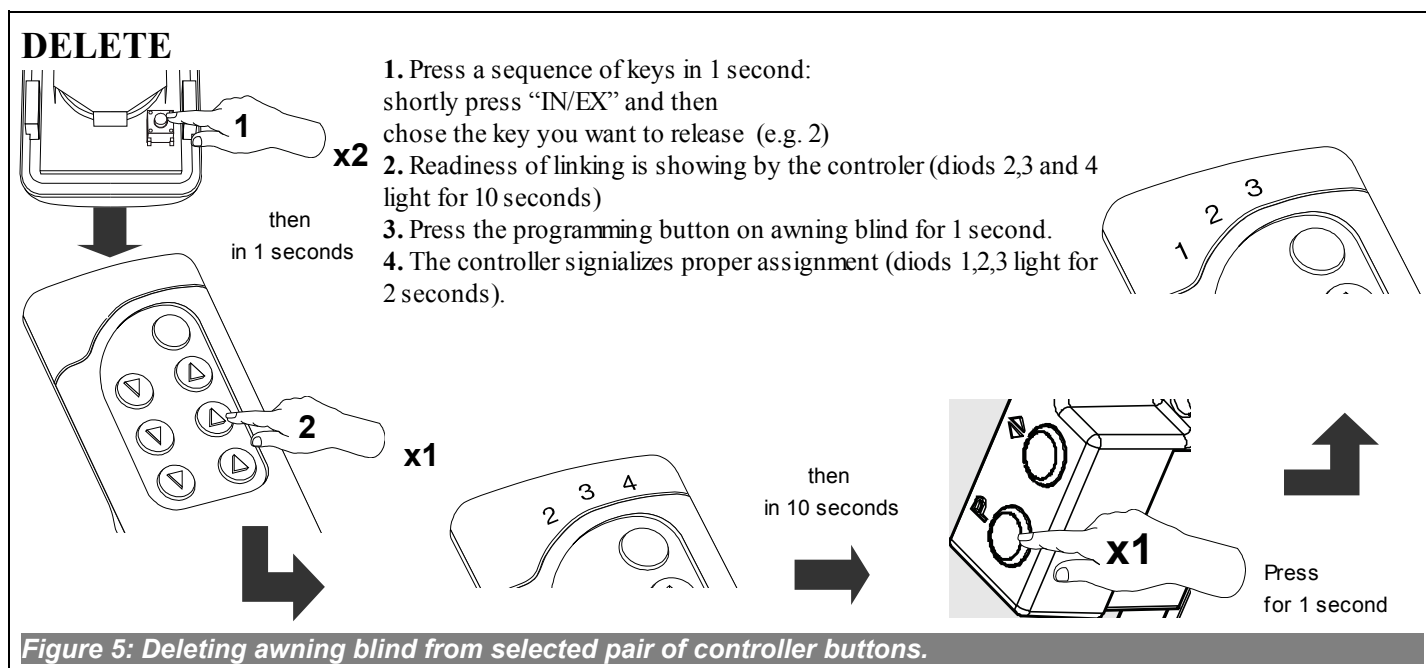
4. Programming the appliance – DELETE & EXCLUDE.

In some cases (changing the location of an installation, or changing a damaged appliance), it is necessary to delete the appliance from the controllers' memory, as well as from the network (Exclude) in order to avoid errors and save the batteries of portable controllers.

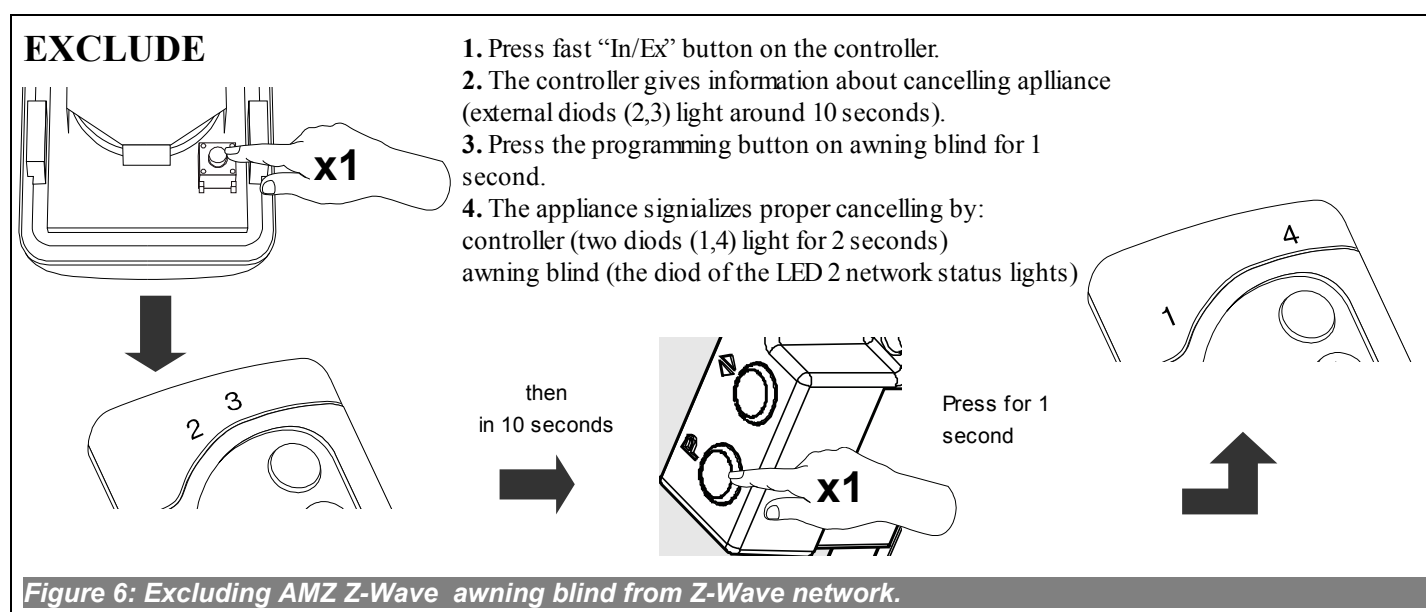
Do not physically remove the appliance until it has been deleted from the controller's memory with the DELETE and EXCLUDE options. Improper usage can cause delays when trying to use the appliance and will cause the batteries of portable controllers to run out quickly.

The order of operations is also very important. The DELETE operation must be completed, first, and then EXCLUDE option can be introduced.

1. Delete the selected keys of the controller ("DELETE"). After "DELETE", the appliance is still part of the network until the "EXCLUDE" operation is completed.



2. Remove the appliance from the Z-Wave network. Once removed from the network, the appliance does not have a number (Node ID) and can be linked to any other network. This status is shown on the network status light-emitting diode (LED 2), which lights continuously. The appliance is not part of the network.



All information concerning the "Delete" and "Exclude" options in other producers' controllers can be found in their user manuals.

5. Compatibility of other producers' appliances in Z-Wave

Z-Wave allows for the integration of other producers' appliances for lighting, heating, domestic automatic appliances, etc. The Z-Wave works in the network as a "repeater", which enlarges the range of radio communication. The more appliances in the network, the more resistant to disordered activities in the network.

6. Connection of the AMZ Z-Wave awning blind to grids serviced by another producer's controller.

Launch the "INCLUDE" procedure with a controller of the existing network, and then press the "Programming" button located on the awning blind which you want to link to the network.

Attention: All information concerning "Include" and "Associate" options in other producers' controllers can be found in their user manuals.

7. Reset (restore to factory settings)

Sometimes it may be necessary to reset the awning blind and delete all the information concerning the network it communicates with. In order to do this, any basic controller (which can initiate the INCLUDE and EXCLUDE functions) can be used. For the awning blind, "RESET" is the same as the "EXCLUDE" function.

Attention: The restoration to factory settings is indicated by the awning blind - the light-emitting diode lights continuously (LED 2 - figure 1).

8. Special options - ALL ON, ALL OFF

It is possible to set the time that the awning blind has to obey the "CLOSE ALL" and "OPEN ALL" functions.

Attention: Manuals on how to set the "CLOSE ALL" and "OPEN ALL" functions can be found in the manuals of proper appliances.

9. Controller manual

"*Controller manual button*" (see figure 1,) allows steering the AMZ Z-Wave awning blind directly after connecting it to power supply. In order to control the awning blind manually you should press "controller manual" button. The buttons work sequentially e.g. start, stop, start in another way, stop, etc.

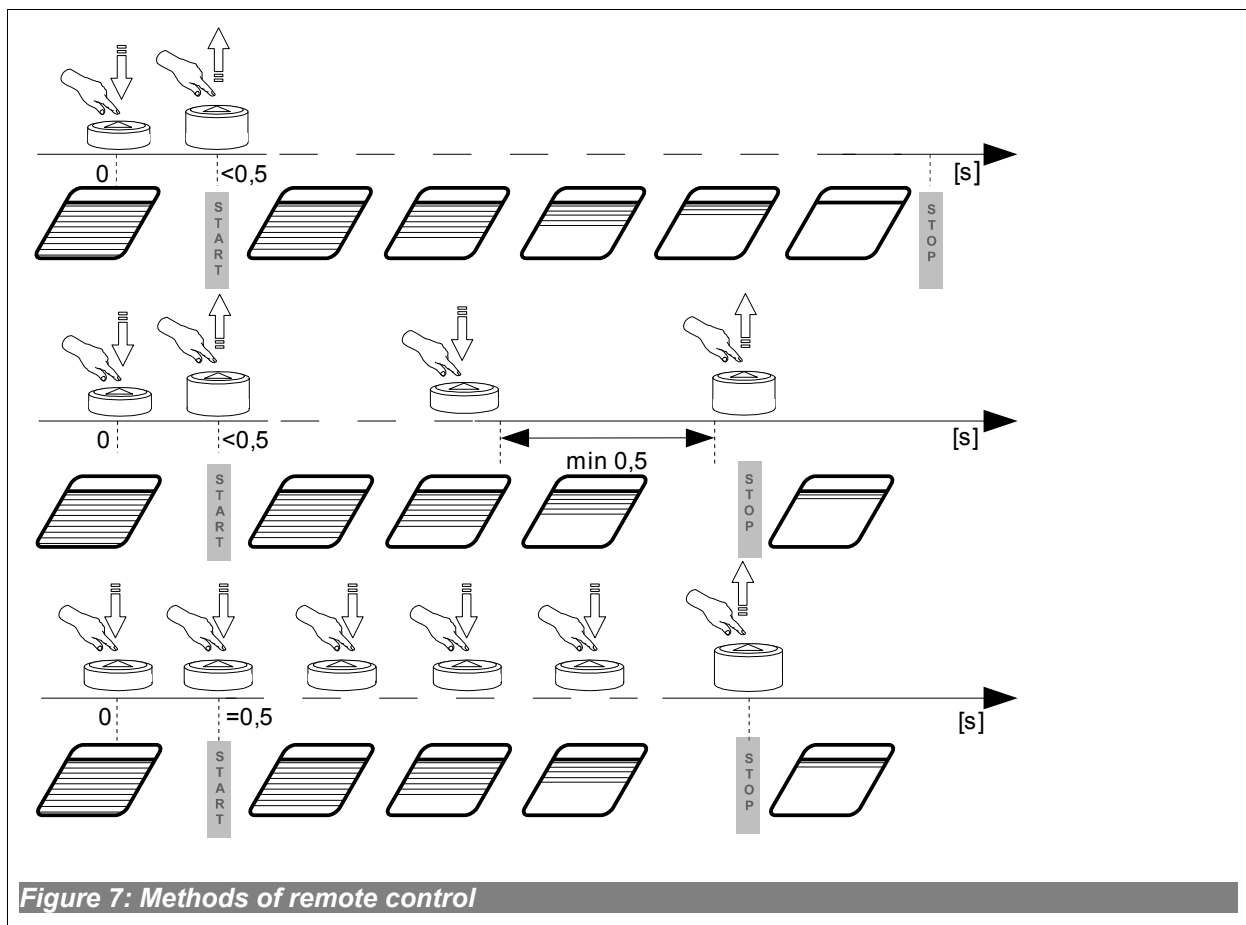
1. While pressing button for the first time after power supply connection, the awning blind starts extending
2. Second usage of the button stops the awning blind.
3. While pressing button again the awning blind starts to roll up.

10. Remote control

Note!!! Each command sent from the remote control to the accessory is preceded by a period of accessory awakening. This period usually lasts about 0.3 s. In practice, this manifest in delayed reaction lasting for about 0.5 s.

When remote controlling awning blind, 5 commands can be used:

- **Close** – in ZWP, ZWK controllers is activated after short (about 0.5 sec.) pressing of „close” button on remote and causes awning blind launching in the closing direction until the engine reaches the end position, which means awning blind complete closure
- **Open** – in ZWP, ZWK controllers is activated after short (about 0.5 sec.) pressing of „open” button on remote and causes awning blind launching in the opening direction until the engine reaches the end position, which means awning blind complete opening
- **Start to close** – in ZWP, ZWK controllers is activated after longer (more than 0.5 sec.) holding of „close” button and causes awning blind launching in the closing direction until releasing „close” button
- **Start to open** – in ZWP, ZWK controllers is activated after longer (more than 0.5 sec) holding of „open” button and causes awning blind launching in the opening direction until releasing „open” button
- **Stop closing/opening** – in ZWP, ZWK controllers is activated with releasing of „open” button or „close” button with earlier issued command „Start closing”/ „Start opening”. In practice it means that in order to stop awning blind at any position, it is necessary to press particular button and hold until reaching the desired position, or launching awning blind in desired direction by short pressing of appropriate button and then stopping it by pressing (longer than 0.5 sec) and then releasing of the same button.



11. Technical parameters

| Technical parameters | |
|----------------------|--------------------------------------|
| Parameter | <i>AMZ Z-Wave awning blind motor</i> |
| Power voltage | 12V DC |
| Rated current | 1,4 A |
| Speed | 23 r.p.m |
| Temperature of usage | (-10°C) do (65°C) |
| Supplying cable | 2 x 0,75 mm ² |
| Weight | 0,850 kg |

12. Description of signals - light-emitting diode (LED)

| <i>The status of motor activities (see figure no.1)</i> | | <i>The status of the network (see figure no.1)</i> | |
|---|--|--|---|
| Singular blink of the diode | The power received from the motor is too low. | Continuous lighting of the diode | The appliance does not belong to any network - remove control is impossible. This diode always appears when the appliance is connecting to a new motor. It disappears when the appliance is linked to any network using "INCLUDE" function. |
| Triple blink of the diode | The power received from the motor is too intensive. A calibration of the awning blind motor should be checked. A description of outskirts regulation is described in point A of the awning blind installation. | | |

13. Warranty

The producer guaranties a high quality of the appliance. It pledges to repair or replace damage element, if the damage is caused by defective materials or construction. The warranty is valid within 24 months from the date of selling due to the following conditions:

- The installation process was proceeded by qualified and authorized person according to the producer requirements.
- The seals were not affected and there were not introduced any changes in construction.
- The appliance was used according to its purpose and in comply with user manual.
- Damage is not an effect of improper power supply installation or an atmospheric conditions.
- The producer is not responsible for any damages arising of improper using and for mechanic damages.

In case of a damage the appliance should be delivered along with the Warranty Card. During the warranty period all damages and defections are recovered for free within 15 labour-days. Warranty and after-warranty repairs are made by the producer FAKRO Ltd.

Quality certificate:

Appliance

Model.....

Serial Number.....

Saleperson.....

Address.....

Date of purchase.....

.....

Signature (stamp) of installing person